

Product Datasheet - WSL SR60 Series Curtain Wall

The Wrightstyle SR60 series range of glazing systems provides an unlimited number of fenestration options. Utilising a wide range of high quality steel with stainless steel options, the profile shapes provide countless possibilities.

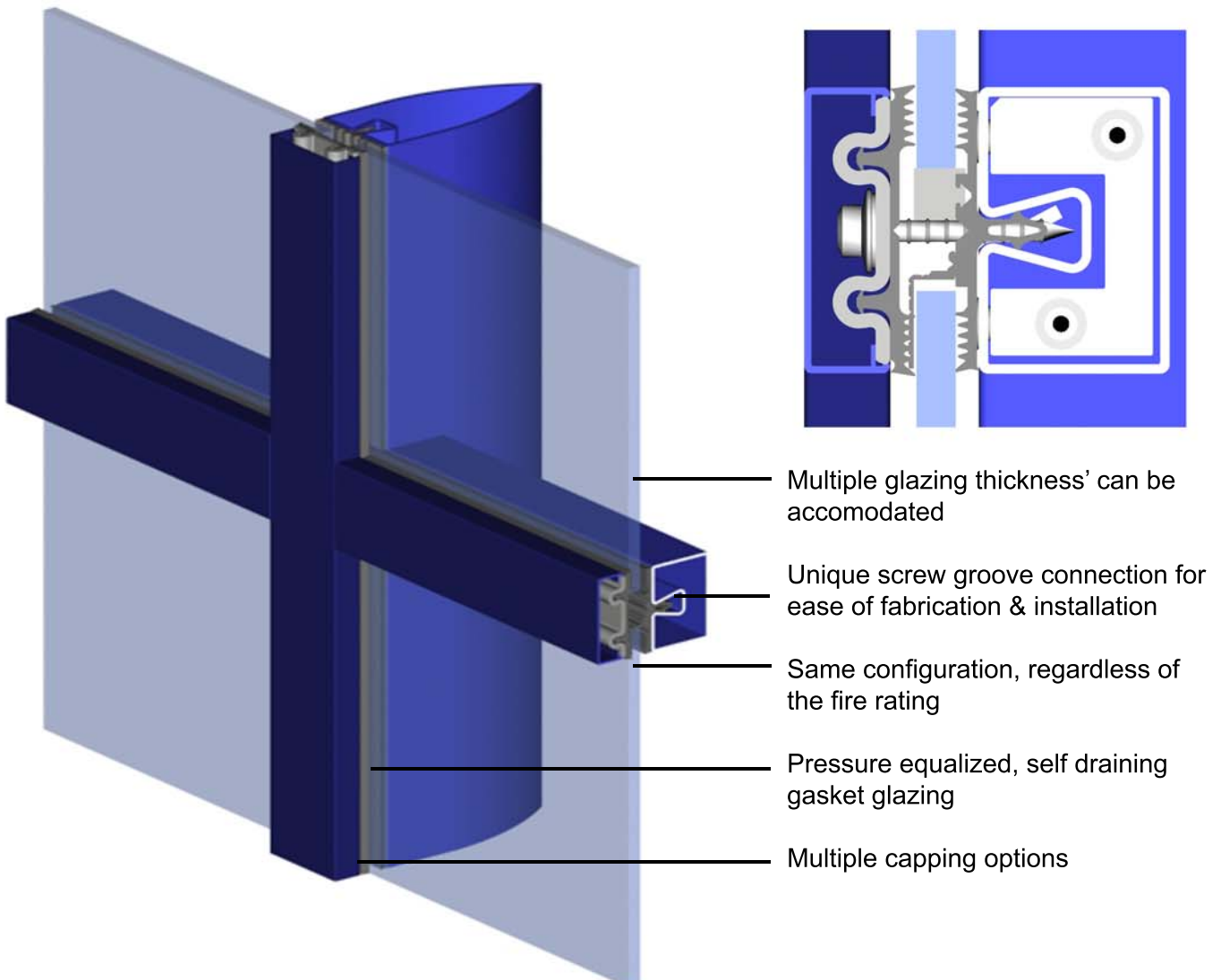
Multiple configurations of facades can be produced from Wrightstyle's range of profiles; an integral part Wrightstyle's total glazing system solutions.

Profiles are produced from cold rolled pre-galvanised strip and are manufactured to strict production tolerances.

Modern manufacturing processes allows us to produce steel glazing systems, which combine the inherent strength and durability of steel, with the aesthetic qualities normally associated with aluminium systems. The following pages provide a brief overview of the capabilities of the systems.

- Competitively priced
- Multiple fenestration options
- High quality pre-senzimir galvanising
- Internal & external surface protection
- 2,3,4 &5mm wall thickness
- Tested up to 2 hours integrity & insulation fire resistance
- Multiple profile options
- Shear block/stick format construction
- Fully drained & gasket glazed
- Can be supplied in bar length or fully fabricated format

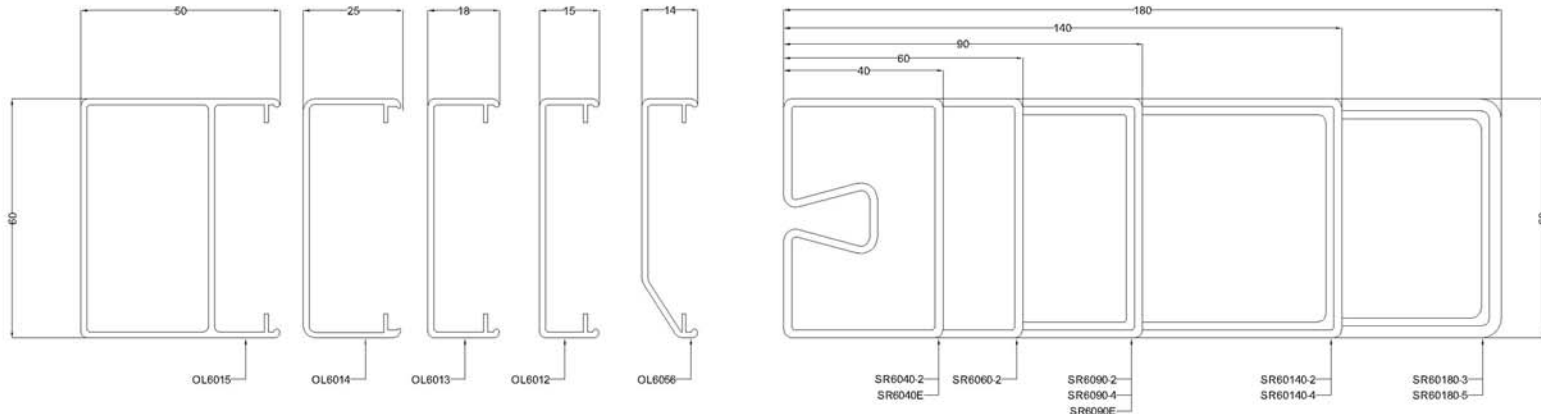
WSL SR60 Series Configuration (colours shown for clarity)



- Multiple glazing thickness' can be accomodated
- Unique screw groove connection for ease of fabrication & installation
- Same configuration, regardless of the fire rating
- Pressure equalized, self draining gasket glazing
- Multiple capping options

Product Datasheet - WSL SR60 Series Curtain Wall

System profile options



WSL SR60 series specifications

Profile materials:

- Mild steel to ST37-2 quality according to DIN 17100. (Equivalent to S235 JRG2 according to EN10025)
- Stainless steel to 1.4301 & 1.4404 quality according to DIN 17100. (Equivalent to 304 & 316L to AISI standards)
- Sendzimir galvanising of interior and exterior of profiles to 275g/m² according to EN10142.

Capping materials:

- Aluminium alloy to eloxadisable ALMgSi0.5 according to DIN 1747 and DIN 17615. (Equivalent to 6063-T6 to BSEN573-3)


System screws:

- Zinc coated 1.4301 stainless steel according to DIN EN17440. (Equivalent to 304 quality to AISI standards)

System gaskets:

- Non cellular elastomer compound to DIN EN7863. (Equivalent to BS3734)

WSL SR60 series performance

 Fire performance	Integrity (Minutes)	Insulation (Minutes)
Un-insulated curtain wall-	30,60,90,120	-
Insulated curtain wall-	30,60,90,120	30,60,90,120
Un-insulated sloping roof-	30,60,90	-
Insulated sloping roof-	30,60,90	30,60,90

Thermal performance in accordance with the requirements of Document L, <2.2w/m²K. See specification manual for details & charts

Performance classifications according to EN13830 : 2003 - Product standard for curtain walling (CE Marking)

 Water tightness- RE (1650Pa)	 Air permeability- AE (>600Pa)
 Resistance to windload- (Required)+2.0/-2.0kN/m ² - +3.0/-3.0 (Safety)	 Airborne sound insulation- Up to 47dB
 Resistance to impact- I5 (950mm drop height) / E5 (950mm drop height)	 Durability- In accordance with EN13830 for external facades

Note: Additional conditions may apply. Please check test data