

WSL 60-F1 Series Fixed Lights

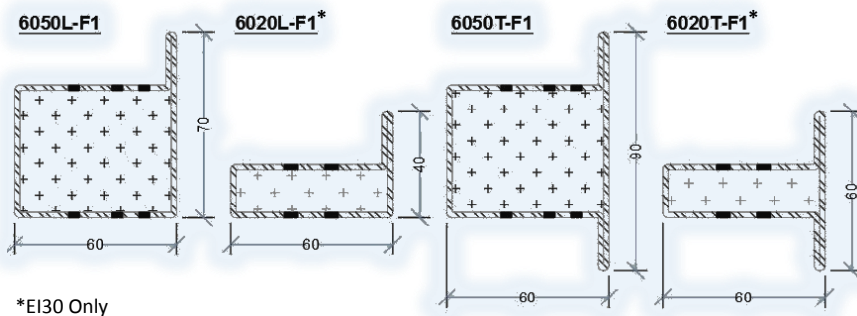
The Wrightstyle 60-F1 series of glazing systems provides an unlimited number of fire rated fenestration options. Utilizing a range of high quality steel profile shapes it provides countless possibilities for insulated fire applications.

Profiles are produced from 2mm cold rolled pre galvanized steel to form the selection of profiles available.

Enhanced manufacturing procedures allows for strength, performance & slim sightlines.

OVERVIEW

- ◇ MULTIPLE FRAME OPTIONS
- ◇ HIGH QUALITY GALVANIZING
- ◇ INTERNAL & EXTERNAL APPLICATION
- ◇ EI30 & EI60 PERFORMANCE
- ◇ POWDER COATED FINISH
- ◇ TAPE AND GASKET GLAZED



SYSTEM SCOPE

- ◇ Maximum Frame:
 - ◇ EI30: 4.0m X 2.0m
 - ◇ EI60: 4.0m X 2.0m
- ◇ Glazing From 10mm—40mm Thick
- ◇ 60mm Framing Depth
- ◇ Frames Can Be Mechanically Joined To Form Unlimited Runs