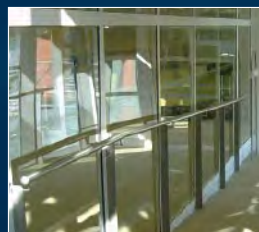


wrightstyle^{ltd}

High Performance Steel & Glass Systems • Complete & Guaranteed

THE STEEL ALTERNATIVE glazed door, screen and window systems

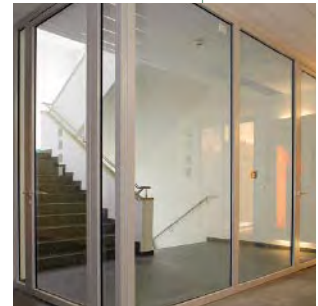


Company

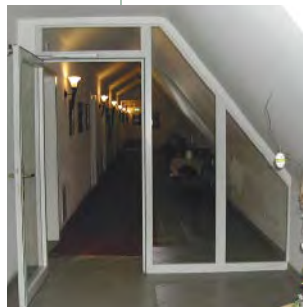


Wrightstyle Ltd, design, test and supply a range of high quality specialist steel and stainless steel glazing systems.

Our involvement in the architectural metalwork industry is extensive, with world-wide experience in the specification and design of architectural glazing systems.



All systems are supplied through our network of international accredited fabricators and installers. We are able to offer a comprehensive range of specialist glazing products, with the advantage of quality assured local installation.

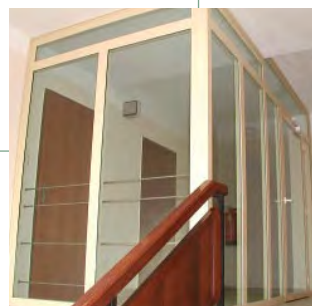


Systems

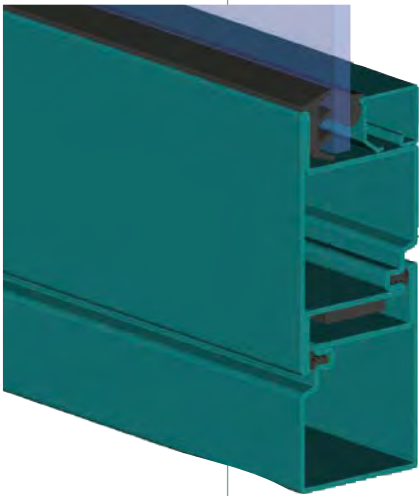
Our systems, designed as a cost effective solution for specialist applications, are backed up with continuous testing and development programmes.

All systems are supplied in bar length format. Profiles are produced from cold rolled hollow sections, manufactured to strict production tolerances.

Modern manufacturing processes allow us to produce steel glazing systems, which combine the inherent strength and durability of steel, with the aesthetic qualities normally associated with aluminium systems.



5060 Series Range



The Wrightstyle 50 & 60 series range of glazing systems provides an unlimited number of fenestration options. Utilising a wide range of high quality steel and stainless steel profile shapes provides countless possibilities.

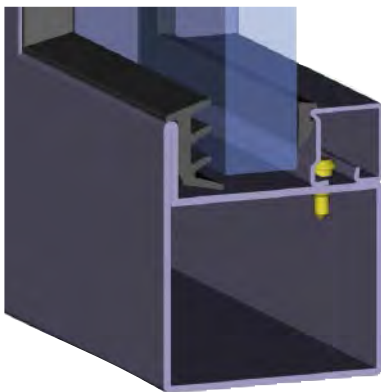


Multiple configurations of doors, screens and windows can be produced from Wrightstyle's vast range of profiles; an integral part of Wrightstyle's total glazing system solutions.

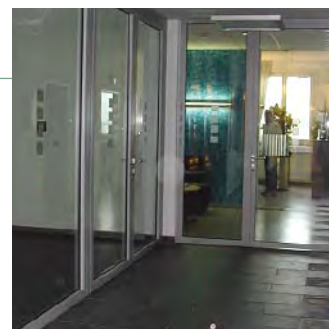
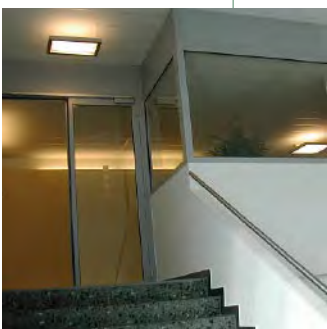


Detailed below are some of the unique features of the system profiles, which will ensure a high quality of finish for the completed installation.

Minimum 2mm profile wall thickness' provide a high strength joint between welded profiles, reducing heat distortion over the surrounding area.



Protection to the hidden areas that cannot be reached for post treatment. This is achieved by using S235 yield pre-galvanised steel substrate in the construction of the profile, to protect and extend the design life of the system. Unlike alternative products, the profiles are sendzimir galvanised to both the inside and outside surfaces. So, as well as protecting those hidden inner areas, it also gives a smooth protected outer surface ideal for painting.



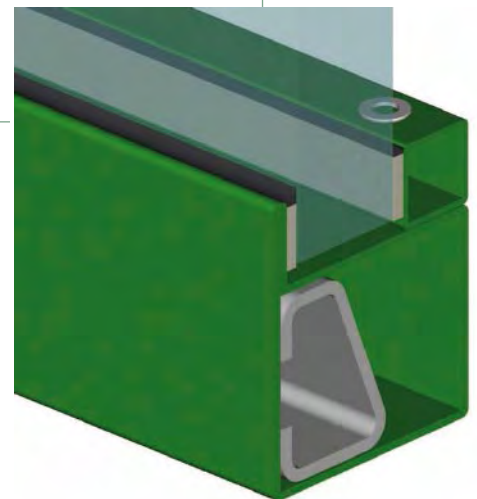
Doors and windows with positive sealing. Using twin rebate gasket seals on the door and window profiles gives a positive seal that is a key element to maintaining the fire integrity. This has the added benefit of contributing to the weather, security and acoustic performance of the assembly.

Sharp design features ensure clean internal lines. This is accomplished with hidden fixing, snap over glazing beads in a variety of sizes. A unique feature that accommodates most glass thickness', using either glazing gaskets or tape.

As with all Wrightstyle systems, extensive performance testing has been carried out in a variety of formats, to many international specifications.

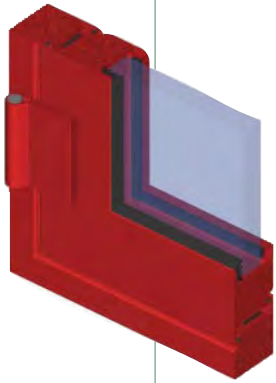
From ballistic resistance going up to R2 7.62 armour piercing rounds, to fire resistance testing going up to 210 minutes. These systems can be verified by approved test data, and also applicable to the geographic requirement.

Not only are all systems fully certified using Wrightstyle's in-house range of fire glass products; our fire approvals and test documentation will also substantiate the framing when glazed with other makes of fire resistant glass.



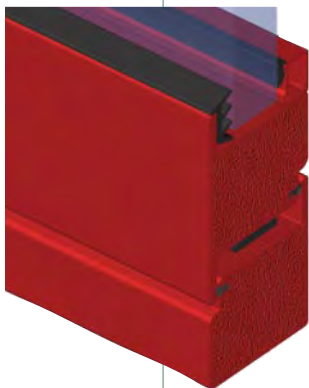
- BULLET •
- BLAST •
- LARGE SPAN •
- THERMAL •
- WEATHER •

6050F1 Series



In addition to the 50 & 60 series glazing systems, the Wrightstyle 6050F1 series offers a range of profiles for the integrity and insulation requirement. Providing an unlimited number of fenestration options in fire resistant glazing.

Developed specifically for fire insulated applications, the 6050F1 series system is constructed using a unique heat absorbing infill, which is contained completely within the profile. Using 6050F1 simplifies fabrication and ensures that the profile strength is maintained.



Multiple configurations of doors, screens & windows are produced from these profiles. One system: that will cover applications critical to the protection of escape routes, to establishing complex building boundaries. Another element of Wrightstyle's total glazing solutions.

A number of unique system features ensure a high quality of finish for the completed installation.

A minimum 2mm profile wall thickness' provides a high strength joint between welded profiles, reducing heat distortion over the surrounding area.



Protection to the hidden areas that cannot be reached for post treatment. Achieved by using S235 yield pre-galvanised steel substrate in the construction of the profile, to protect and extend the design life of the system.



- FIRE • BULLET • BLAST • LARGE SPAN • THERMAL • WEATHER •

Unlike alternative products, the profiles are sendzimir galvanised to both the inside and outside surfaces. So, as well as protecting those hidden inner areas, it also gives a smooth protected outer surface ideal for painting.

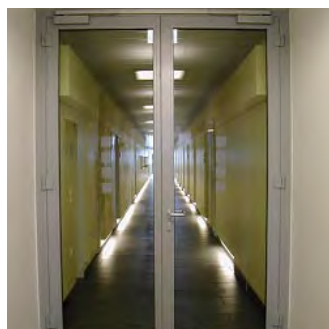
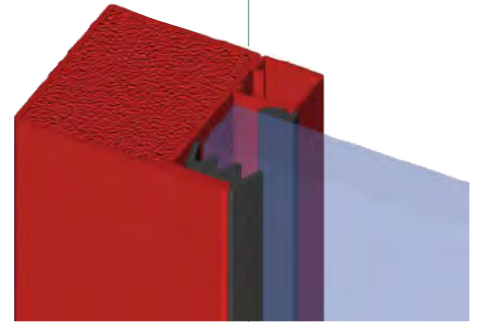
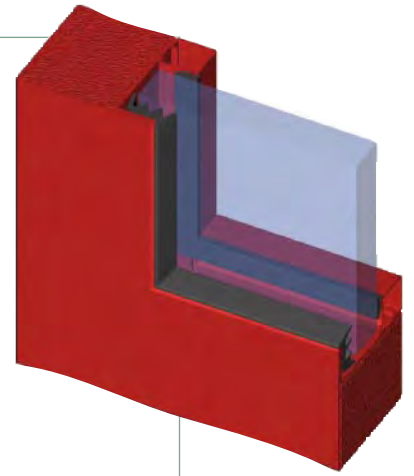
Different specifications can be used side by side with no visible difference. The 6050F1 system can be placed alongside our other systems, even when utilising a differing specification; it will match seamlessly.

Doors and windows with positive sealing. Using twin rebate gasket seals on the door and window profiles gives a positive seal that is a key element to maintaining the fire integrity. This has the added benefit of contributing to the weather, security and acoustic performance of the assembly.

Sharp design features ensure clean internal lines. This is accomplished with hidden fixing, snap over glazing beads in a variety of sizes. A unique feature that accommodates most glass thickness', using either glazing gaskets or tape.

Additional performance testing has been carried out across a variety of formats to many international standards. Including cyclic & smoke and fire resistance of up to 90 minutes (integrity and insulation). These systems can be verified by approved test data, applicable to the geographic requirement.

Not only are all systems fully certified using Wrightstyle's in-house range of fire glass products; our fire approvals and test documentation will also substantiate the framing when glazed with other makes of fire resistant glass.



- BULLET • BLAST • LARGE SPAN • THERMAL • WEATHER •